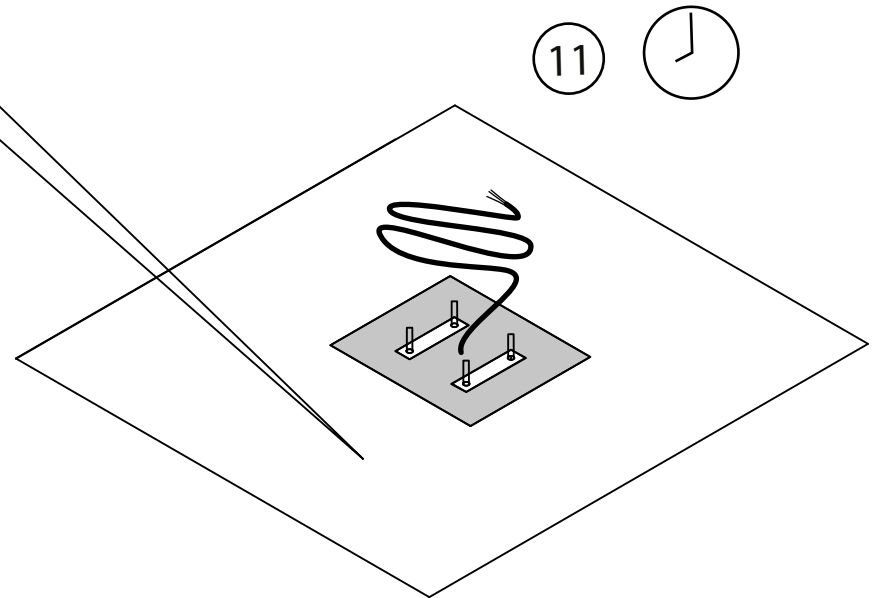
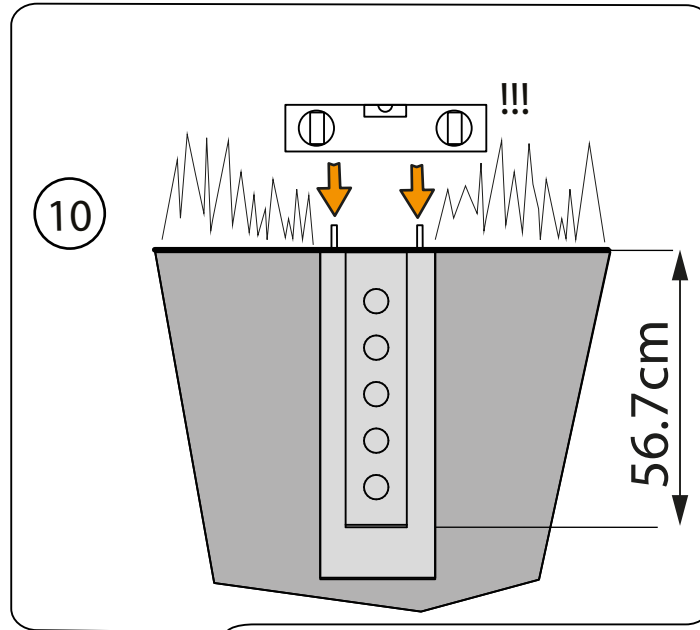
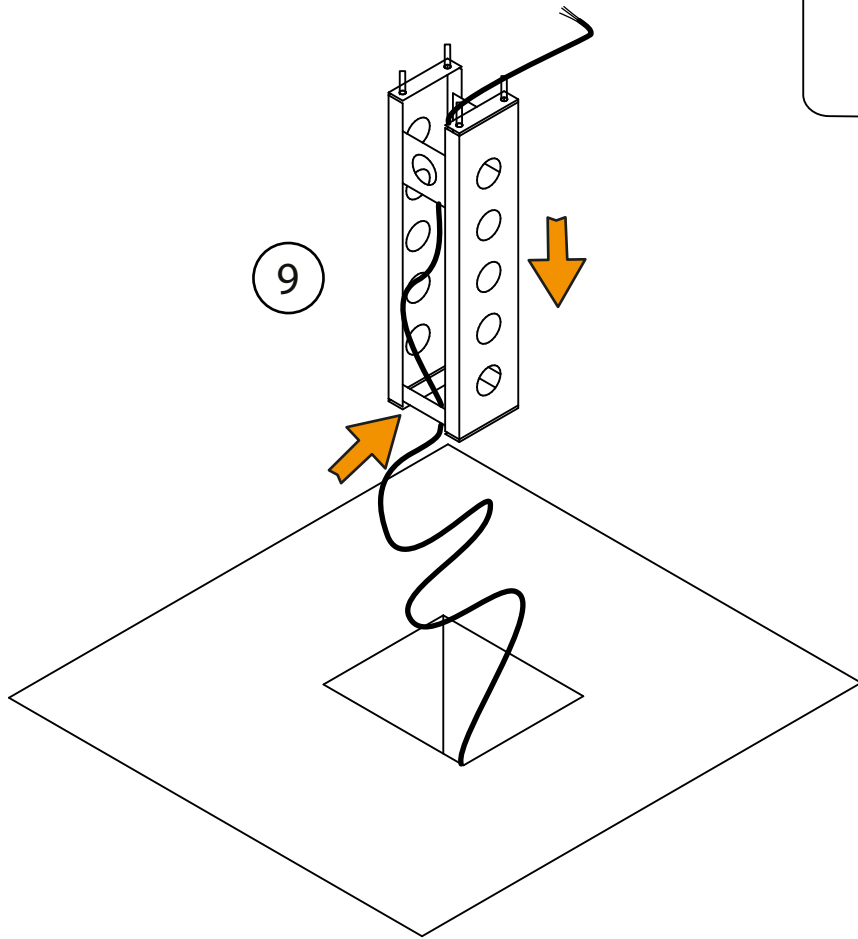


7

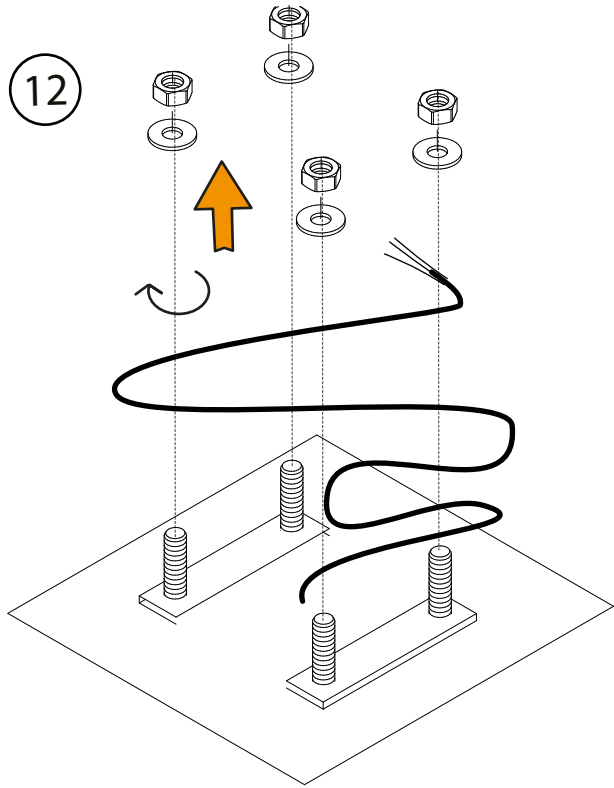
8

water

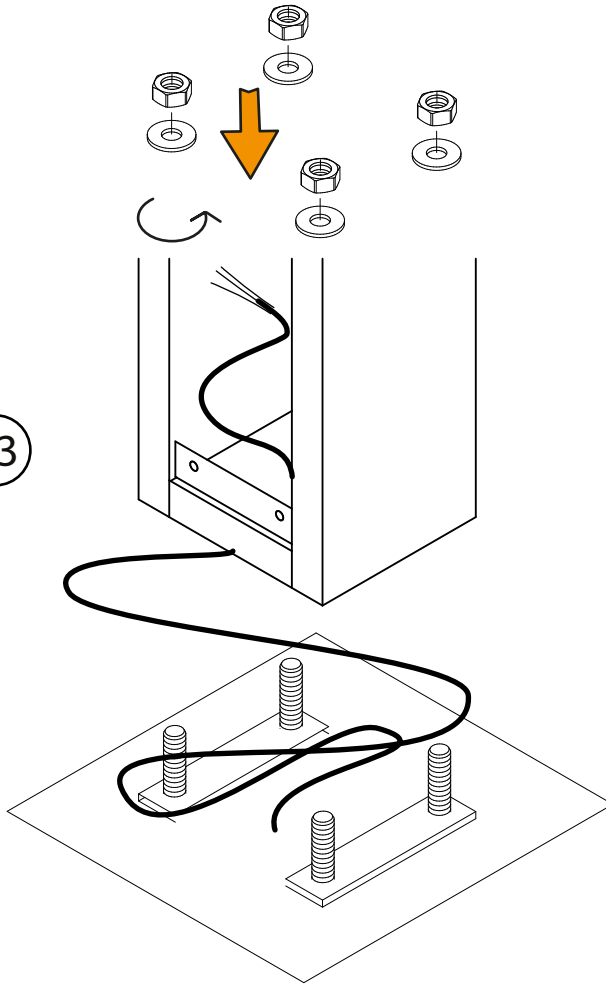
cement



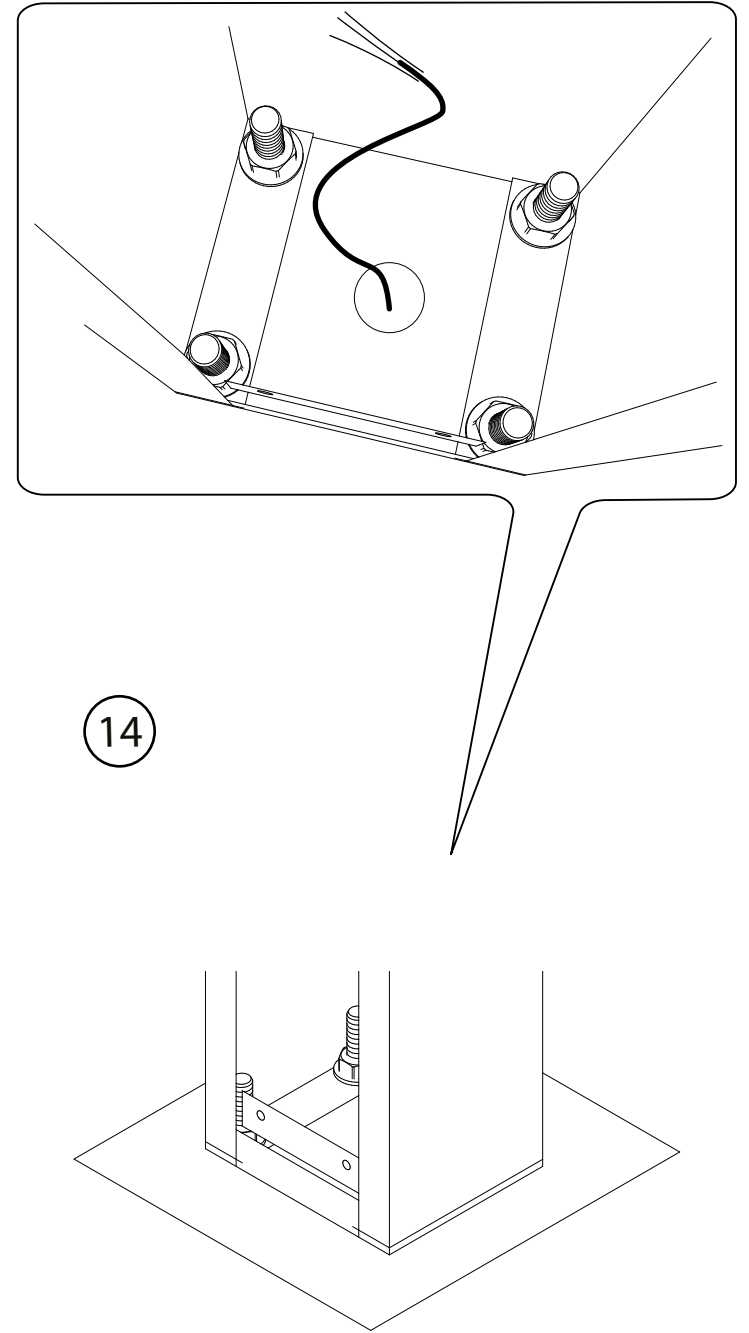
12

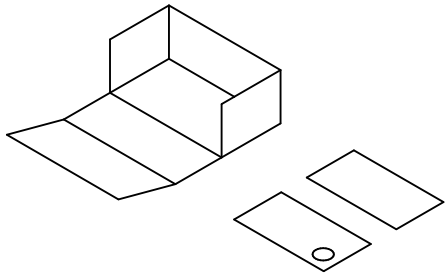


13

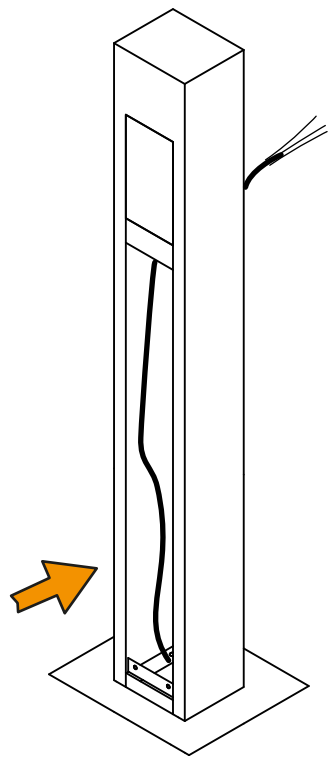


14

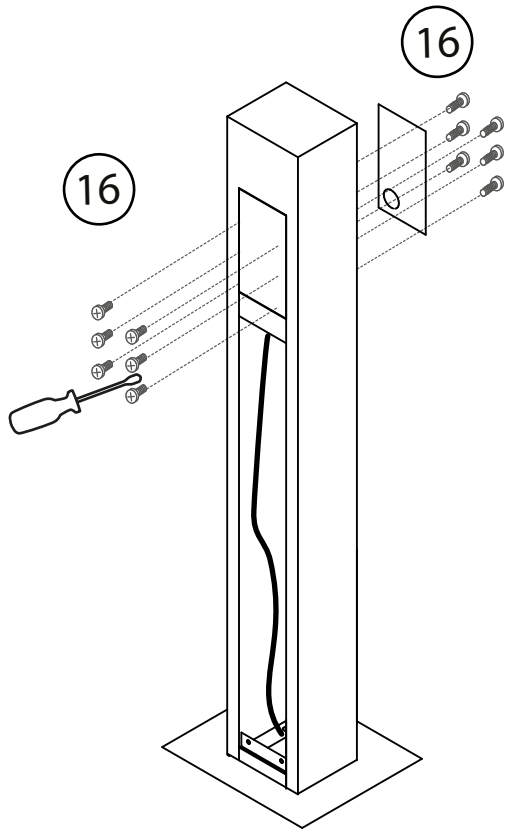




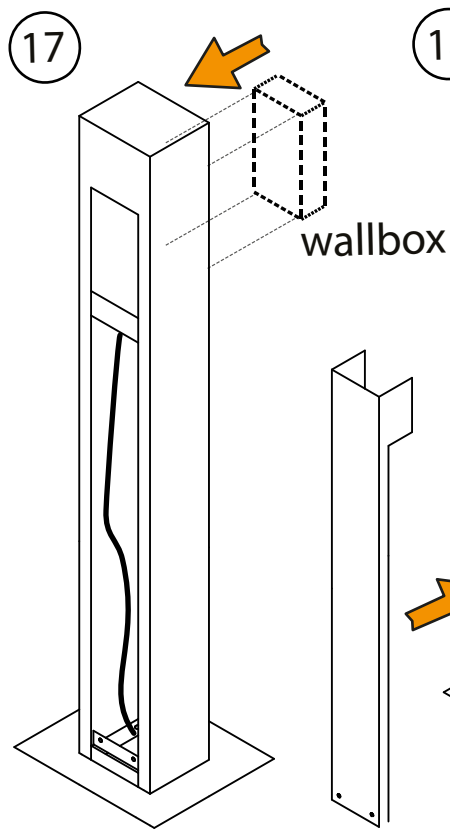
15



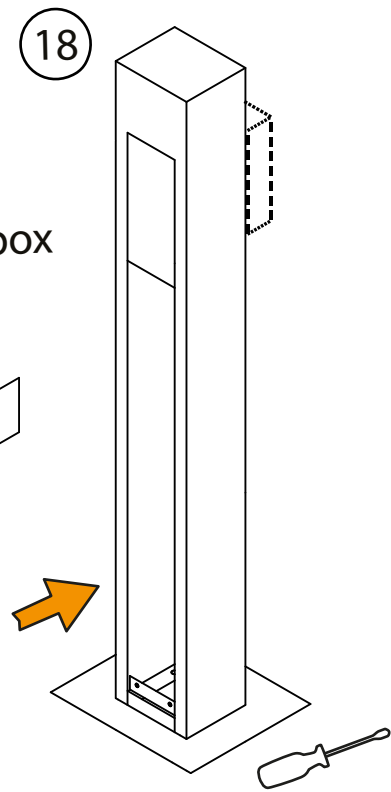
16



17



18



19

